

Technical data sheet

Pipe end cap, splittable, metric, light greyGrip 20, EcoLine

Item number: 2047813



Separable pipe end cap to slot onto metric electrical installation pipes. The separable pipe end cap can be used for repairs on existing installations according to regulations. It is not necessary to disconnect the cables, allowing quick mounting.



PE Polyethylene Eco

Master data

Item number	2047813
Type	129 TB M16 ECO
Description 1	Pipe end sleeve, separable
Description 2	metric
Available from	06.03.2026
Manufacturer	OBO
Dimension	M16
Colour	Light grey; RAL 7035
Material	Polyethylene Eco
Smallest sales unit	50
Unit of quantity	Piece
Weight	0.39 kg
Weight unit	kg/100 pc.
CO2 Footprint (GWP) Cradle-to-Gate	0,007 kg CO2e / 1 Piece

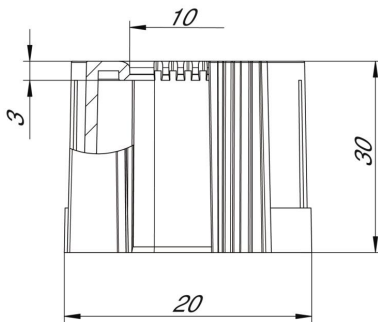
Technical data sheet

Pipe end cap, splittable, metric, light greyGrip 20, EcoLine

Item number: 2047813



Dimensions



Dimension L1	30 mm
Dimension L2	3 mm

Technical data

Version for	Connector
Halogen-free	yes
Brushed surface	no
Polished surface	no