

Technical data sheet


Grip 40, EcoLine

Item number: 2205418



Collection clamp with pointed fastening element, for the mounting of up to 40 cables NYM 3 x 1.5 mm² on walls and ceilings. Fastening with impact anchor or push-fit anchor. Also suitable for the fastening with gas- and battery-operated firing tools of the brands Bosch, Fischer and Spit (nose diameter Ø 7 mm). Fastening hole: Ø 6 mm. Recommended fastening distance of 250–400 cm when fully assigned, depending on the respective national specifications/norms.



 Polypropylene Eco

Master data

Item number	2205418
Type	2031 40 ECO
Description 1	Grip collecting clamp
Available from	08.03.2026
Manufacturer	OBO
Dimension	40x NYM3x1,5
Colour	Light grey; RAL 7035
Material	Polypropylene Eco
Smallest sales unit	25
Unit of quantity	Piece
Weight	3.54 kg
Weight unit	kg/100 pc.
CO2 Footprint (GWP) Cradle-to-Gate	0,06 kg CO2e / 1 Piece

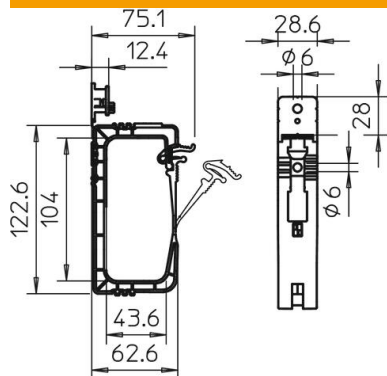
Technical data sheet

Grip 40, EcoLine

Item number: 2205418



Dimensions



Technical data

No. of conductors NYM 3 x 1.5	40
Flame-resistant version	no
Breaking load	0.32 kN
Maintain electrical functions	no
Halogen-free	yes
With anchor	no