

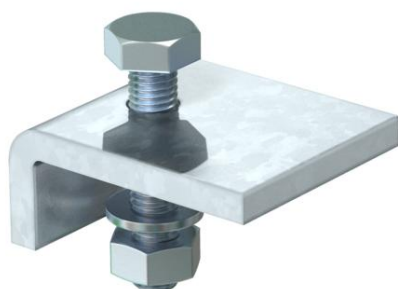
Technical data sheet

Clamping angle KL

Item number: 6354106



Clamping angle, type KL1, to fasten light support structures to steel girder flanges.
Choose the clamping lug according to the thickness of the flange.



CE

St Steel

FT Hot-dip galvanised

Master data

Item number	6354106
Type	KL1 10 S FT
Description 1	Clamping lug
Description 2	for steel carrier 10 mm
Manufacturer	OBO
Dimension	60x50
Material	Steel
Surface	Hot-dip galvanised
Surface standard	DIN EN ISO 1461
Smallest sales unit	10
Unit of quantity	Piece
Weight	22.1 kg
Weight unit	kg/100 pc.

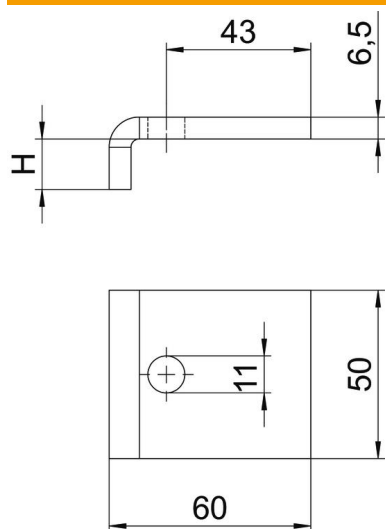
Technical data sheet

Clamping angle KL

Item number: 6354106



Dimensions



Height	10 mm
--------	-------

Technical data

Thread metric	10
Bolt	M10 x 40