

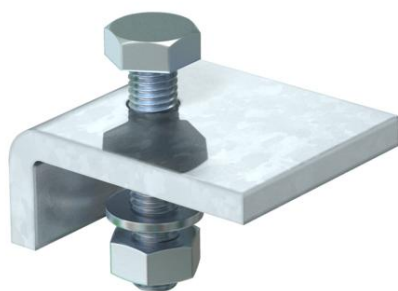
# Technical data sheet

## Clamping angle KL

Item number: 6354114



Clamping angle, type KL1, to fasten light support structures to steel girder flanges.  
Choose the clamping lug according to the thickness of the flange.



**St** Steel

**FT** Hot-dip galvanised

### Master data

Item number	6354114
Type	KL1 15 S FT
Description 1	Clamping lug
Description 2	for steel carrier 15 mm
Manufacturer	OBO
Dimension	60x50
Material	Steel
Surface	Hot-dip galvanised
Surface standard	DIN EN ISO 1461
Smallest sales unit	10
Unit of quantity	Piece
Weight	23.4 kg
Weight unit	kg/100 pc.

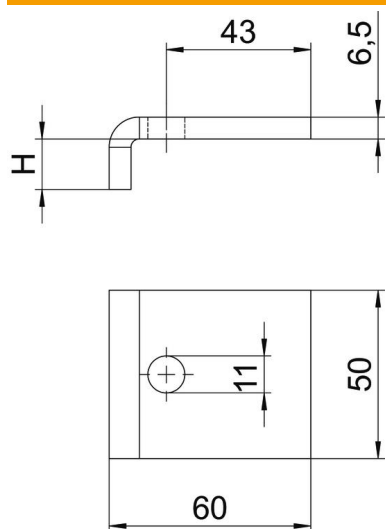
# Technical data sheet

## Clamping angle KL

Item number: 6354114



### Dimensions



Height	15 mm
--------	-------

### Technical data

Thread metric	10
Bolt	M10 x 50